

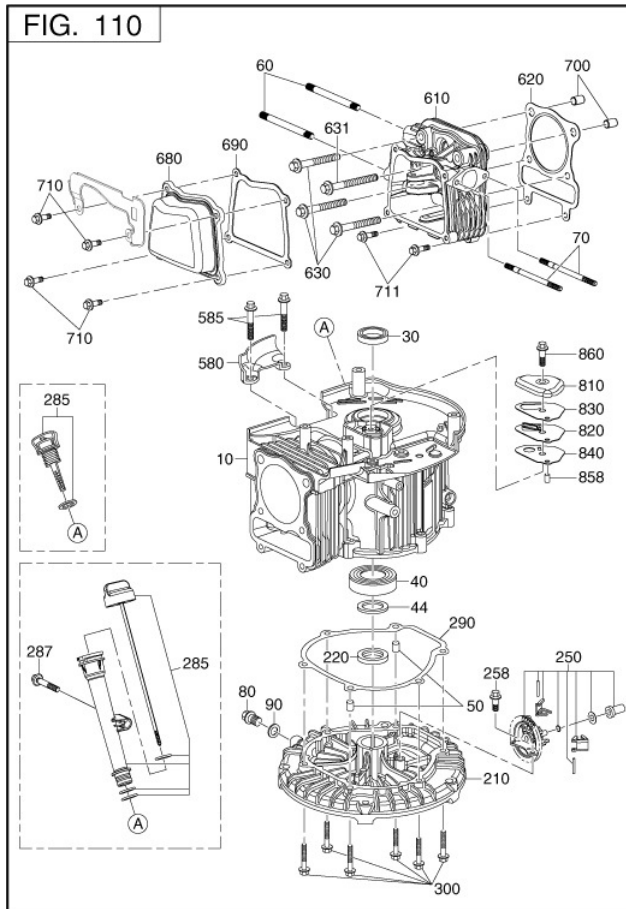
※RED: While supplies last ※YELLOW: Make-to-order Updated:2016/02/26

PDF English

EA190 SPEC.No

1 CRANK CASE

EA190V75020



EA190V

21F011002W00

REF.	PART NUMBER	PART NAME	CODE NO.	QTY	REMA
10	11310Z02031000	CRANKCASE ASSY	-	1	
30	90682Z02021000	OIL SEAL	-	1	
40	90541020500	BALL BEARING	-	1	
44	90408Z02011000	WASHER	-	1	
50	90502081000	DOWEL PIN	-	2	
60	90204Z02041000	STUD	-	2	
70	90204Z02031000	STUD	-	2	
80	11007Z01011000	OIL DRAIN PLUG	-	1	
90	90408Z01011000	WASHER	-	1	
210	11411Z02021000	CRANKCASE COVER	-	1	
220	90682Z02011000	OIL SEAL	-	1	
250	16400Z02032000	GOVERNOR GEAR ASSY	-	1	
258	900070616A1	BOLT	-	1	
285	15010Z020210Q2	DIPSTICK ASSY	-	1	
287	900070630A1	BOLT	-	1	
290	11001Z02013000	SUMP GASKET	-	1	
300	900070630A1	BOLT	-	6	
580	19340Z02012000	AIR GUIDE	-	1	
585	900070616A1	BOLT	-	2	
610	12140Z02021000	CYLINDER HEAD ASSY	-	1	
620	12131Z02031000	CYLINDER HEAD GASKET	-	1	
630	12003Z02011000	BOLT	-	3	
631	12003Z02022000	BOLT	-	1	
680	12411Z02021000	VALVE COVER	-	1	
690	12004Z02031000	VALVE COVER GASKET	INT	-	1
700	90502101400	DOWEL PIN	-	2	
710	900070614A1	BOLT	-	4	
711	900070625A1	BOLT	-	2	
810	11333Z02022000	BREATHER COVER	-	1	
820	11320Z02012000	BREATHER	-	1	
830	11332Z02032000	BREATHER COV GASKET	-	1	
840	11332Z02022000	BREATHER COV GASKET	-	1	
858	90509Z02011000	DOWEL PIN	-	1	
860	902590620A1	BOLT	-	1	

FIG 110 200 300 315 330 400 500 600 642 700 900